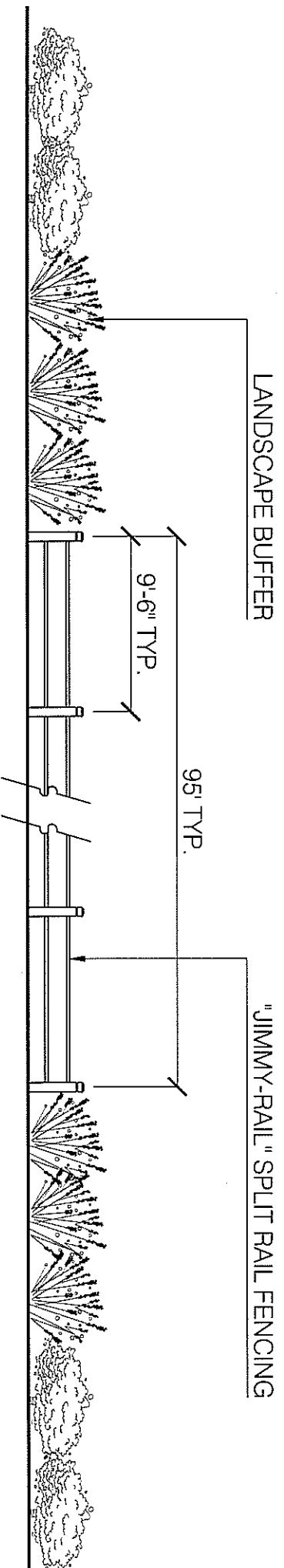


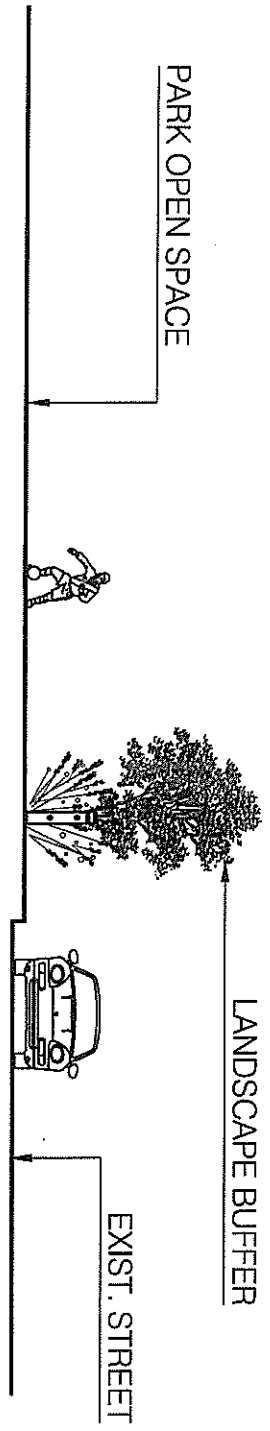
**BLUEMONT COMBO FENCE AND SHRUB BUFFER - SIDE VIEW**

SCALE:  $\frac{1}{8}'' = 1'-0''$



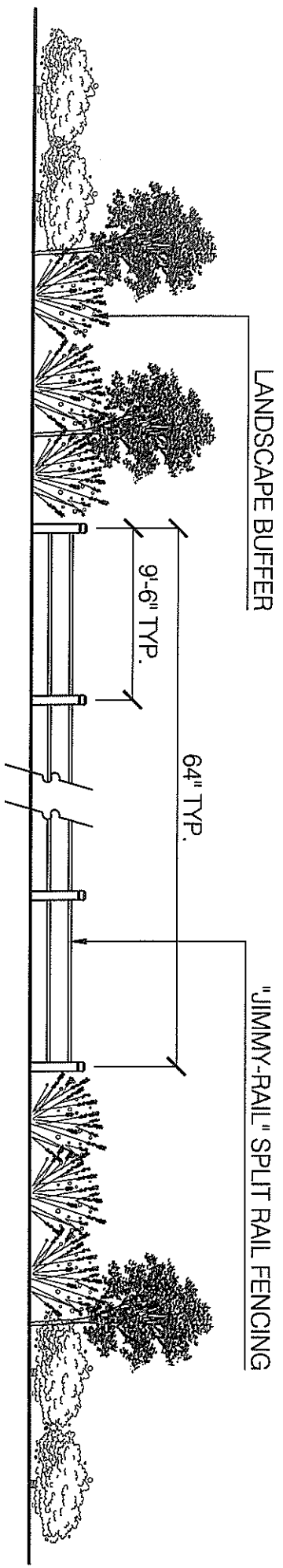
**BLUEMONT COMBO FENCE AND SHRUB BUFFER - ELEVATION**

SCALE:  $\frac{1}{8}'' = 1'-0''$



BLUEMONT FENCING AND LANDSCAPE BUFFER - SIDE VIEW

SCALE:  $\frac{1}{8}'' = 1'-0''$



BLUEMONT FENCING AND LANDSCAPE BUFFER - ELEVATION

SCALE:  $\frac{1}{8}'' = 1'-0''$